

Medical



58213
24V 120W A26/14

Ordering – No.
58213

Product Description

Halogen Special Lamp

Features

Original Equipment Manufacturer Quality,
Quartzglass

Applications

Medical Equipment

Technical Details

Category Halogen Special

Rated Voltage (V) 24

Wattage (W) max. 126,0

Luminous Flux (lm) 3300 ± 10%

Average Lifetime (h) 300

Base A26/14

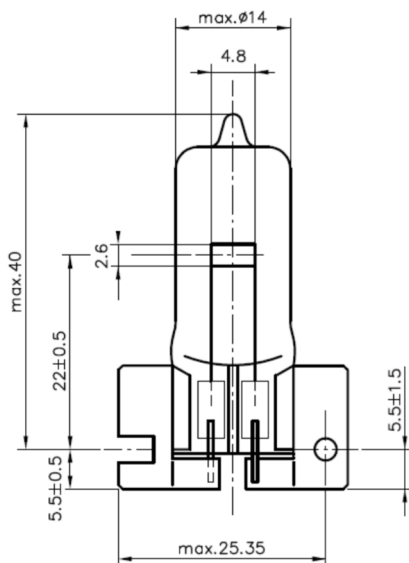
Maximum Overall Length (mm) 40

Bulb Diameter (mm) max. 14

Light Center (mm) 22 ± 0,5

Packaging Configuration 100 pcs.

Drawing (in mm)



valid from	28.11.2016—V1—PN16/0415
replace for	23.06.2014—V1—PN14/0294
file	58213.100.pdf