




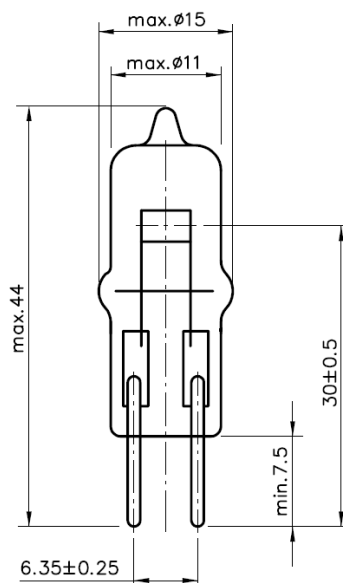
Medical

	Type SH5935 12V 100W GY6,35
	Ordering - No. 55935
Product Description	Special Halogen Lamp
Features	Quartz Bulb, Exactly positioned Filament
Applications	Medical, Microscope, Analysis

Technical Details

Category	HLWS7
Rated Voltage (V)	12
Wattage (W)	max. 110
Luminous Flux (lm)	2550 - 12%
Average Lifetime (h)	2000
Base	GY6,35 - 15
Overall Length (mm)	max.44,0
Bulb Diameter (mm)	max. 11,0
Light Center Length (mm)	30 ± 0,5
Packaging Configuration	100 pcs.
Environmental Remark	Product don't contain lead or mercury and is conform with Directive 2002/95/EC "Restriction of the use of certain hazardous substances in electrical and electronic equipment".

Drawing (in mm)



valid from	05.03.2014—V2—PN14/0072
replace for	29.01.2013—V1
file	55935.100.pdf