



Medical



Type SH5929
12V 50W G6,35-15

Ordering - No.
55929

Product Description

Special Halogen Lamp

Features

Quartz Bulb, Exactly positioned Filament, Blue Top

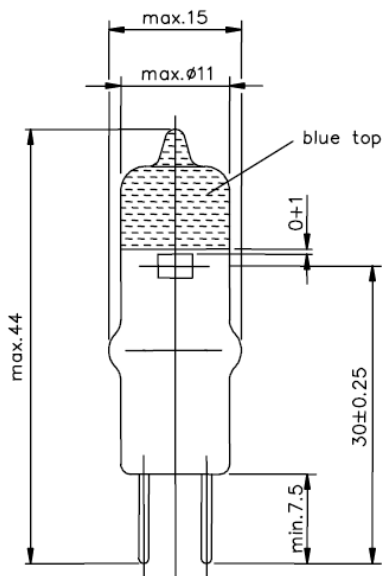
Applications

Medical, Microscope, Analysis

Technical Details

| | |
|--------------------------|---|
| Type | SH5929 |
| Rated Voltage (V) | 12 |
| Wattage (W) | max. 53 |
| Luminous Flux (lm) | 1000 ± 12% |
| Average Lifetime (h) | 2000 |
| Base | G6,35-15 |
| Overall Length (mm) | max. 44 |
| Bulb Diameter (mm) | max. 11 |
| Light Center Length (mm) | 30 ± 0,25 |
| Operating Position | s90 |
| Packaging Configuration | 100 pcs. |
| Environmental Remark | Product don't contain lead or mercury and is conform with Directive 2002/95/EC "Restriction of the use of certain hazardous substances in electrical and electronic equipment". |

Drawing (in mm)



| | |
|-------------|-------------------------|
| valid from | 05.03.2014—V2—PN14/0072 |
| replace for | 29.01.2013—V1 |
| file | 55929.100.pdf |