


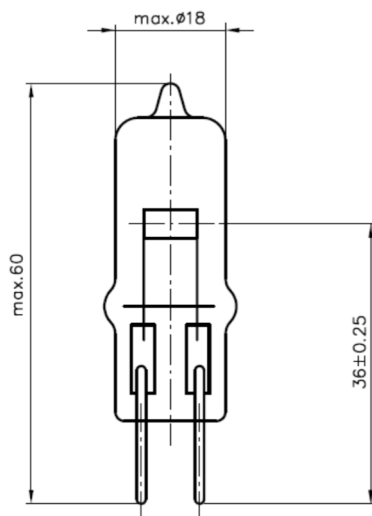
Medical

	Type 55605 36V 400W G6,35
	Ordering - No. 55605
Product Description	Special Halogen Lamp
Features	Quartz Bulb, Exactly positioned Filament
Applications	Medical, Microscope, Analysis; Projection

Technical Details

Rated Voltage (V)	36
Wattage (W)	400 +/-15%
Luminous Flux (lm)	16000
Average Lifetime (h)	50
Base	G6,35
Overall Length (mm)	max. 60
Bulb Diameter (mm)	max. 18
Light Center Length (mm)	36 ± 0,25
Operating Position	s90
Packaging Configuration	100 pcs.
Environmental Remark	Product don't contain lead or mercury and is conform with Directive 2011/65/EC "Restriction of the use of certain hazardous substances in electrical and electronic equipment".

Drawing (in mm)



valid from	13.10.2016—V1—PN16/0350
replace for	-
file	55605.100.pdf