




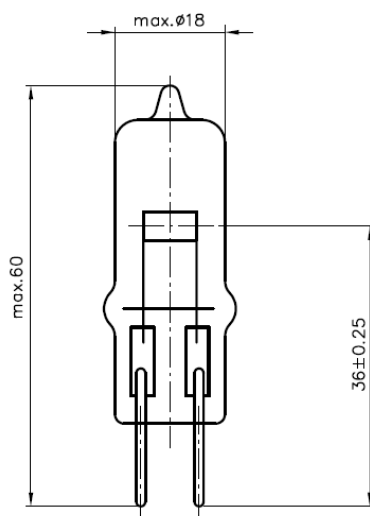
Medical

	Type 55601 36V 400W G6,35
	Ordering - No. 55601
Product Description	Special Halogen Lamp
Features	Quartz Bulb, Exactly positioned Filament
Applications	Medical, Microscope, Analysis

Technical Details

Rated Voltage (V)	36
Wattage (W)	400 +/-10%
Luminous Flux (lm)	14500 - 12%
Average Lifetime (h)	100
Base	G6,35-15
Overall Length (mm)	max. 60
Bulb Diameter (mm)	max. 18
Light Center Length (mm)	36 ± 0,25
Operating Position	s90
Packaging Configuration	100 pcs.
Environmental Remark	Product don't contain lead or mercury and is conform with Directive 2011/65/EC "Restriction of the use of certain hazardous substances in electrical and electronic equipment".

Drawing (in mm)



valid from	17.03.2014—V2—PN14/0086
replace for	17.02.2014—V1
file	55601.100.pdf