




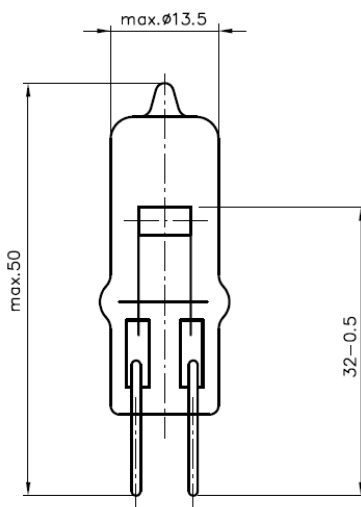
Medical

	Type 55408 24V 150W G6,35
	Ordering - No. 55408
Product Description	Special Halogen Lamp
Features	Quartz Bulb, Exactly positioned Filament
Applications	Medical, Microscope, Analysis

Technical Details

Rated Voltage (V)	24
Wattage (W)	max. 170
Luminous Flux (lm)	6000 - 12%
Average Lifetime (h)	40
Base	G6,35-15
Overall Length (mm)	max. 50
Bulb Diameter (mm)	max. 13,5
Light Center Length (mm)	32 - 0,5
Operating Position	s90
Packaging Configuration	100 pcs.
Environmental Remark	Product don't contain lead or mercury and is conform with Directive 2011/65/EC "Restriction of the use of certain hazardous substances in electrical and electronic equipment".

Drawing (in mm)



valid from	17.03.2014—V2—PN14/0086
replace for	17.02.2014—V1
file	55408100.pdf