




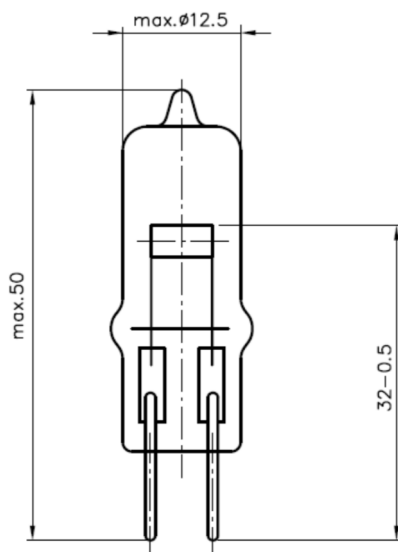
Medical

	Type 55407 24V 150W G6,35
	Ordering - No. 55407
Product Description	Special Halogen Lamp
Features	Quartz Bulb, Exactly positioned Filament
Applications	Medical, Microscope, Analysis

Technical Details

ANSI	FCS
Rated Voltage (V)	24
Wattage (W)	max. 165
Luminous Flux (lm)	5200 ± 8%
Average Lifetime (h)	50
Base	G6,35-15
Overall Length (mm)	max. 50
Bulb Diameter (mm)	max. 12,5
Light Center Length (mm)	32 - 0.5
Operating Position	s90
Packaging Configuration	100 pcs.
Environmental Remark	Product don't contain lead or mercury and is conform with Directive 2002/95/EC "Restriction of the use of certain hazardous substances in electrical and electronic equipment".

Drawing (in mm)



valid from	02.12.2016—V1—PN16/0424
replace for	29.01.2013—V1
file	55407.100.pdf