


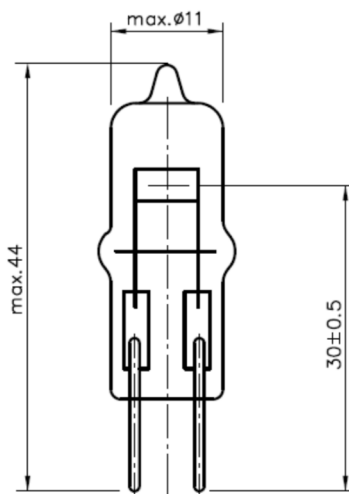
Medical

	Type 55400 15V 150W G6,35
	Ordering - No. 55400
Product Description	Special Halogen Lamp
Features	Quartz Bulb, Exactly positioned Filament
Applications	Medical, Microscope, Analysis

Technical Details

ANSI	EVB / BRJ
Rated Voltage (V)	15
Wattage (W)	max. 165
Luminous Flux (lm)	5000 ± 8%
Average Lifetime (h)	50
Base	G6,35
Overall Length (mm)	max.44,0
Bulb Diameter (mm)	max. 11,0
Light Center Length (mm)	30 ± 0,5
Packaging Configuration	100 pcs.
Environmental Remark	Product don't contain lead or mercury and is conform with Directive 2002/95/EC "Restriction of the use of certain hazardous substances in electrical and electronic equipment".

Drawing (in mm)



valid from	02.12.2016—V1—PN16/0424
replace for	-
file	55400.100.pdf