




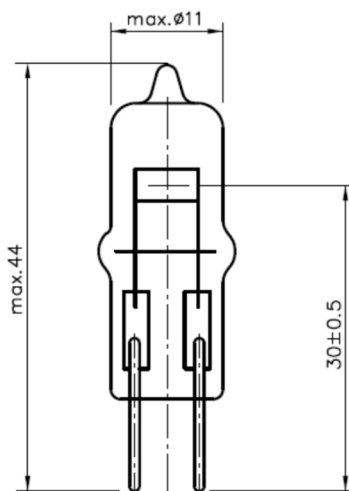
Medical

	Type 55321 12V 100W GY6,35
	Ordering - No. 55321
Product Description	Special Halogen Lamp
Features	Quartz Bulb, Exactly positioned Filament
Applications	Medical, Microscope, Analysis

Technical Details

ANSI	FCR
Rated Voltage (V)	12
Wattage (W)	max. 110
Luminous Flux (lm)	3400 ± 10%
Average Lifetime (h)	50
Base	GY6,35
Overall Length (mm)	max.44,0
Bulb Diameter (mm)	max. 11,0
Light Center Length (mm)	30 ± 0,5
Packaging Configuration	100 pcs.
Environmental Remark	Product don't contain lead or mercury and is conform with Directive 2002/95/EC "Restriction of the use of certain hazardous substances in electrical and electronic equipment".

Drawing (in mm)



valid from	02.12.2016—V1—PN16/0424
replace for	-
file	55321.100.pdf