




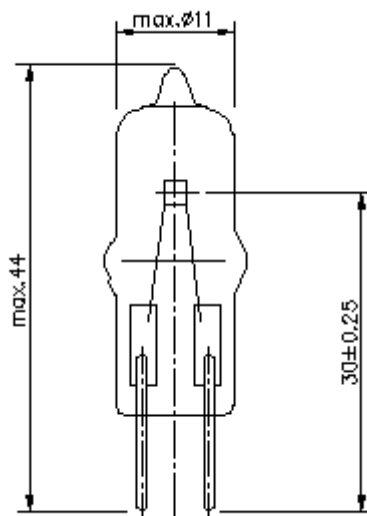
## Medical

	<b>Type 55211</b> <b>12V 50W G6,35</b>
	<b>Ordering - No.</b> <b>55211</b>
<b>Product Description</b>	Special Halogen Lamp
<b>Features</b>	Quartz Bulb, Exactly positioned Filament
<b>Applications</b>	Medical, Microscope, Analysis

## Technical Details

ANSI	BRL / BCD
Rated Voltage (V)	12
Wattage (W)	max. 56
Luminous Flux (lm)	1500 ± 20%
Average Lifetime (h)	50
Base	G6,35
Overall Length (mm)	max. 44
Bulb Diameter (mm)	max. 11,0
Light Center Length (mm)	30 ± 0,25
Operating Position	s90
Packaging Configuration	100 pcs.
Environmental Remark	Product does not contain lead or mercury and is conform with Directive 2002/95/EC "Restriction of the use of certain hazardous substances in electrical and electronic equipment".

## Drawing (in mm)



valid from	07.02.2024—V2—PN24/0035
replace for	05.12.2016—V1—PN16/0424
file	55211.100.pdf