




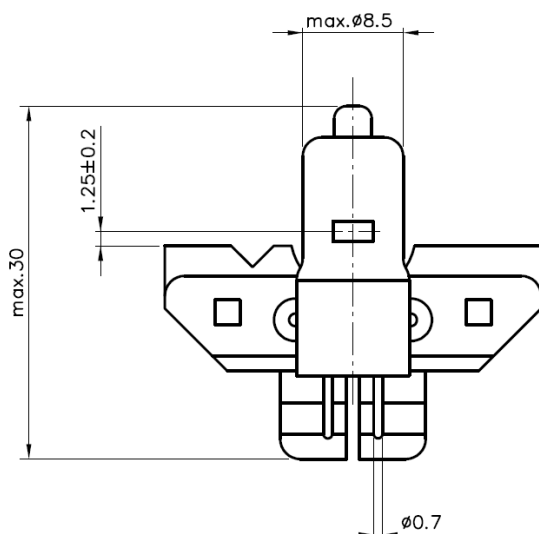
Medical

	Type SH5166 5V 30W PY16-1,25
	Ordering - No. 55166
Product Description	Halogen Lamp with Prefocus Base
Features	Quartz Bulb, Exactly positioned Filament
Applications	Medical, Microscope, Analysis

Technical Details

Category	HLL5-X
Rated Voltage (V)	5
Wattage (W)	max. 33,0
Luminous Flux (lm)	650 ± 12%
Average Lifetime (h)	150
Base	PY16-1,25
Overall Length (mm)	max. 30
Bulb Diameter (mm)	max. 8,5
Light Center Length (mm)	1,25 ± 0,2
Operating Position	s90
Packaging Configuration	300 pcs.
Environmental Remark	Product don't contain lead or mercury and is conform with Directive 2002/95/EC "Restriction of the use of certain hazardous substances in electrical and electronic equipment".

Drawing (in mm)



valid from	05.03.2014—V2—PN14/0072
replace for	28.01.2013—V1
file	55166.100.pdf.