




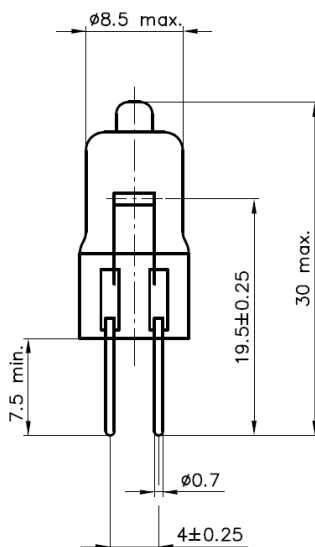
Medical

	Type 55165 6V 30W G4
	Ordering - No. 55165
Product Description	Special Halogen Lamp
Features	Quartz Bulb, Exactly positioned Filament
Applications	Medical, Microscope, Analysis

Technical Details

Category	HLL
Rated Voltage (V)	6
Wattage (W)	max. 33,0
Luminous Flux (lm)	765 ± 12%
Average Lifetime (h)	100
Base	G4
Overall Length (mm)	max. 30
Bulb Diameter (mm)	8,8
Light Center Length (mm)	19,5 ± 0,25
Operating Position	optional
Packaging Configuration	100 pcs.
Environmental Remark	Product don't contain lead or mercury and is conform with Directive 2011/65/EC "Restriction of the use of certain hazardous substances in electrical and electronic equipment".

Drawing (in mm)



valid from	05.03.2014—V2—PN14/0072
replace for	02.08.2013—V1
file	55165.100.pdf