


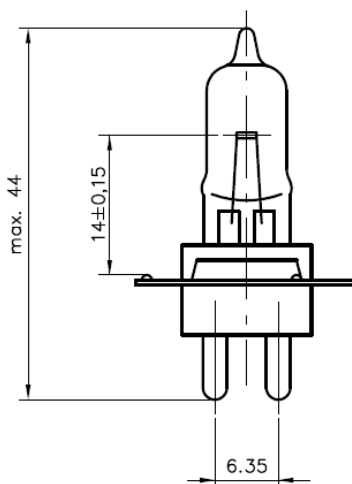
## Medical

	<b>Type HLL</b> <b>6V 20W PG22</b>
	<b>Ordering - No.</b> <b>55148</b>
<b>Product Description</b>	Special Halogen Lamp
<b>Features</b>	Quartz Bulb, Exactly positioned Filament
<b>Applications</b>	Medical, Microscope, Analysis

## Technical Details

Category	HLL
Rated Voltage (V)	6
Wattage (W)	max. 22
Luminous Flux (lm)	500 - 15%
Average Lifetime (h)	50
Base	PG22
Overall Length (mm)	max. 44
Bulb Diameter (mm)	max. 9,0
Light Center Length (mm)	14 ± 0,15
Operating Position	s90
Packaging Configuration	100 pcs.
Environmental Remark	Product don't contain lead or mercury and is conform with Directive 2011/65/EC "Restriction of the use of certain hazardous substances in electrical and electronic equipment".

## Drawing (in mm)



valid from	03.03.2015—V3—PN15/0120
replace for	05.03.2014—V2
file	55148.100.pdf