


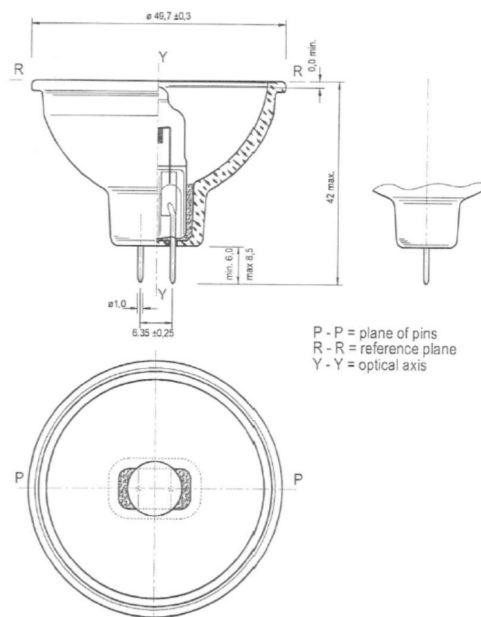
Projection

	Type 54202 15V 150W GZ6,35
	Ordering - No. 54202
Product Description	Halogen reflector lamp
Features	Quartz Bulb, Pre-Focused (Filament), Dimmable
Application	Fiber Optics

Technical Details

ANSI Code	EFR
LIF Code	A1/232
Rated Voltage (V)	15
Wattage (W)	150
Color Temperature (K)	3250
Average Lifetime (h)	50
Base	GZ6,35
Reflector Finish	smooth
Operating Position	S105 
Max. permissible Temperatures (degree C)	<ul style="list-style-type: none"> • Pinch 400 • Bulb 900
Environmental Remark	Product don't contain lead or mercury and is conform with Directive 2011/65/EC "Restriction of the use of certain hazardous substances in electrical and electronic equipment".

Drawing (in mm)

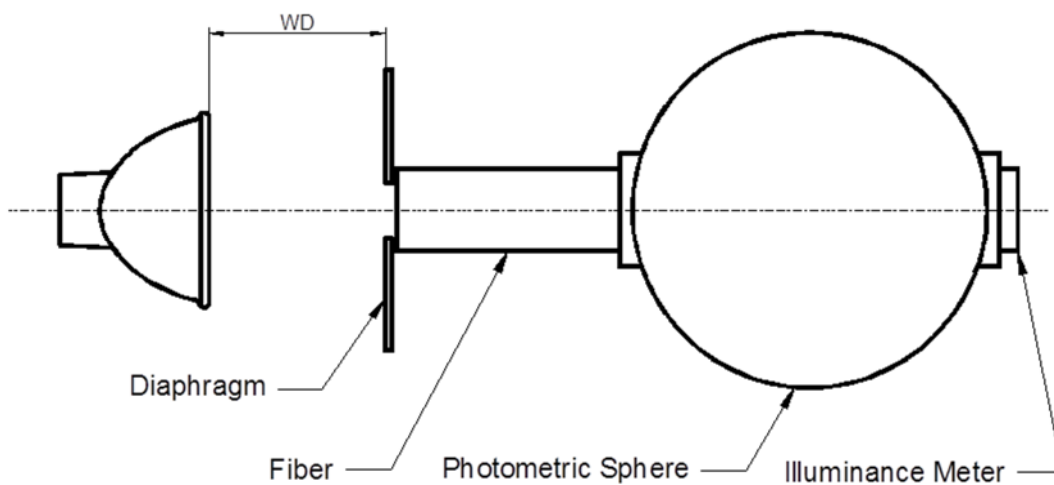


valid from	14.04.2016-V1-PN16/0124
replace for	-
file	54202.100.pdf



Projection

Technical Details	
Working Distance WD (mm)	32
Diaphragm (mm)	7
Fiber Diameter (mm)	13
Light Output (lm)	840 –15%



valid from	14.04.2016-V1-PN16/0124
replace for	-
file	54202.100.pdf