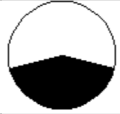


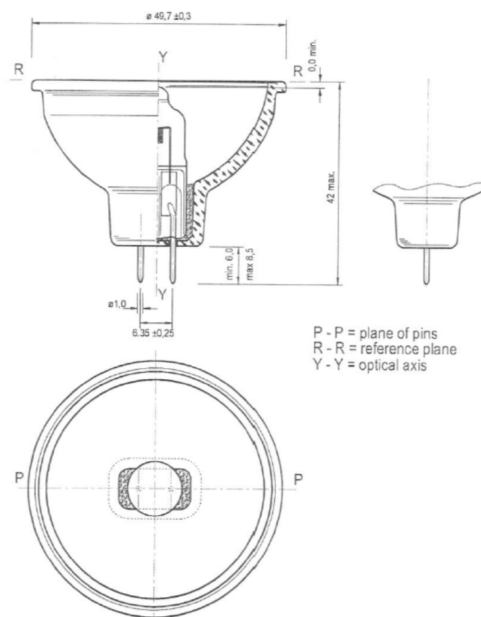
Projection

	Type 54101 12V 100W GZ6,35
	Ordering - No. 54101
Product Description	Halogen reflector lamp
Features	Quartz Bulb, Pre-Focused (Filament), Dimmable
Application	Fiber Optics

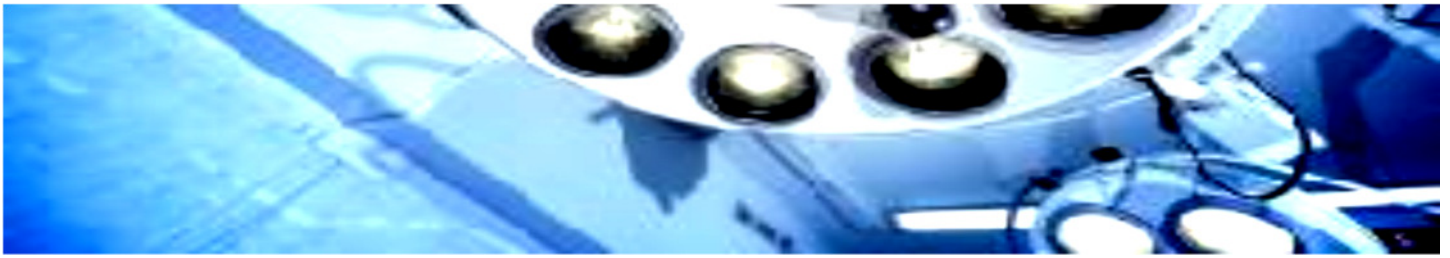
Technical Details

ANSI Code	EFP
LIF Code	A1/231
Rated Voltage (V)	12
Wattage (W)	100
Color Temperature (K)	3400
Average Lifetime (h)	50
Base	GZ6,35
Reflector Finish	smooth
Operating Position	S105 
Max. permissible Temperatures (degree C)	<ul style="list-style-type: none"> • Pinch 400 • Bulb 900
Environmental Remark	Product don't contain lead or mercury and is conform with Directive 2011/65/EC "Restriction of the use of certain hazardous substances in electrical and electronic equipment".

Drawing (in mm)

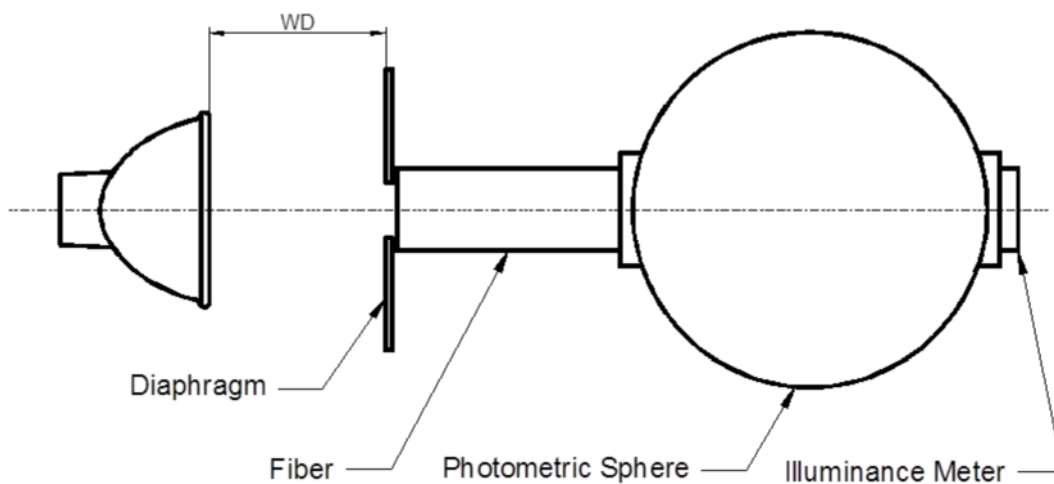


valid from	19.04.2017-V2-PN17/0173
replace for	18.01.2017-V1-PN17/0044
file	54101.100.pdf



Projection

Technical Details	
Working Distance WD (mm)	32
Diaphragm (mm)	7
Light Output (lm)	750 –15%



valid from	19.04.2017-V2-PN17/0173
replace for	18.01.2017-V1-PN17/0044
file	54101.100.pdf