




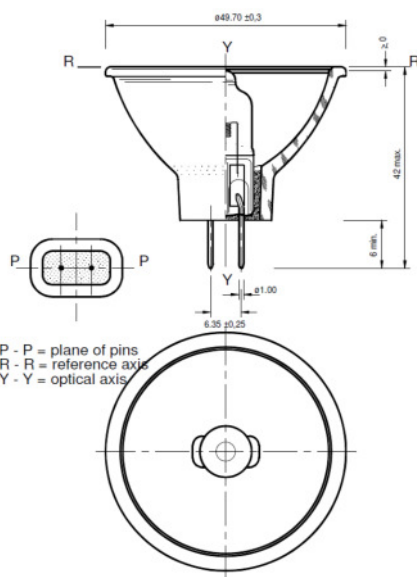
Projection

	Type 54100 12V 100W GZ6.35
	Ordering - No. 54100
Product Description	Halogen reflector lamp
Features	Quartz Bulb, Pre-Focused (Filament), Dimmable
Application	Projection

Technical Details

ANSI Code	EFP
LIF Code	-
Rated Voltage (V)	12
Wattage (W)	100
Color Temperature (K)	3400
Average Lifetime (h)	50
Base	GZ6,35
Reflector Finish	smooth
Operating Position	S105 
Max. permissible Temperatures (degree C)	<ul style="list-style-type: none"> • Pinch 350 • Bulb 900
Environmental Remark	Product don't contain lead or mercury and is conform with Directive 2011/65/EC "Restriction of the use of certain hazardous substances in electrical and electronic equipment".

Drawing (in mm)

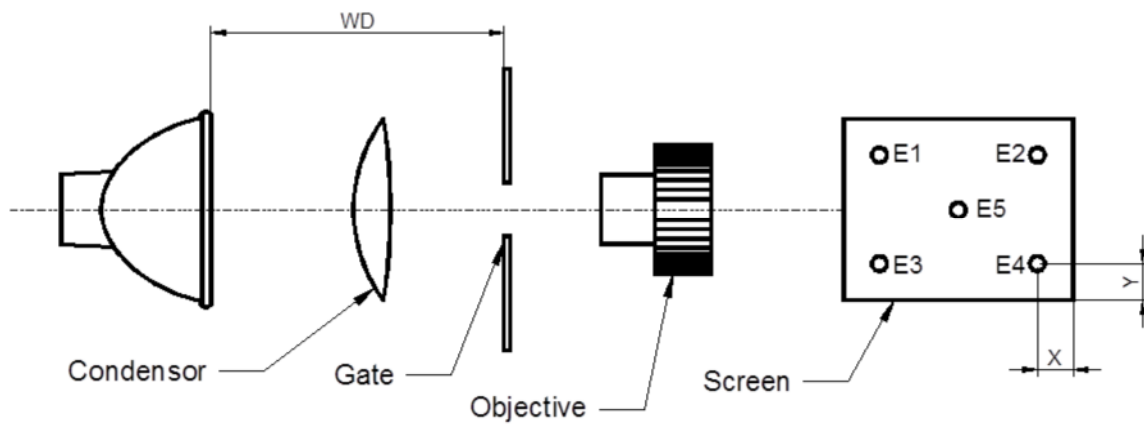


valid from	19.04.2017-V2-PN17/0173
replace for	31.03.2017-V1-PN17/0154
file	54100.100.pdf



Projection

Technical Details	
Working Distance WD (mm)	32
Condensor f (mm)	50
Gate (mm)	5,2 x 3,9
Objective f (mm)	11
Screen Size (mm)	1200 x 900
Cell Position X/Y (mm)	40/40
Screen Illumination on Center (Lx)	300 min
Screen Illumination on Corner (%)	60 min.
$\frac{E_{Center} - E_{min}}{E_{Center}}$	



valid from	19.04.2017-V2-PN17/0173
replace for	31.03.2017-V1-PN17/0154
file	54100.100.pdf