


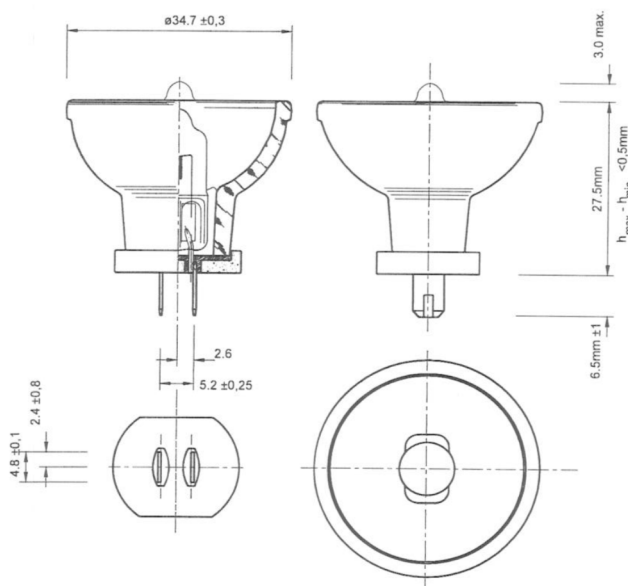
## Medical

|   |   |
|---|---|
|  | <b>Type 54080</b><br><b>12V 75W G5,3/4,8</b>        |
|   | <b>Ordering - No.</b><br><b>54080</b>               |
| <b>Product Description</b>  | Halogen reflector lamp                              |
| <b>Features</b>   | Quartz Bulb,<br>Pre-Focused (Filament),<br>Dimmable |
| <b>Application</b>  | Dental Curing                                       |

## Technical Details

|  |   |
|--|---|
| ANSI Code                                | -   |
| LIF Code                                 | -   |
| Rated Voltage (V)                        | 12  |
| Wattage (W)                              | 80  |
| Average Lifetime (h)                     | 50  |
| Base                                     | G5,3/4,8  |
| Reflector Finish                         | smooth  |
| Operating Position                       | any   |
| Max. permissible Temperatures (degree C) | <ul style="list-style-type: none"> <li>• Pinch 400</li> <li>• Bulb 900</li> </ul>   |
| Environmental Remark                     | Product don't contain lead or mercury and is conform with Directive 2011/65/EC "Restriction of the use of certain hazardous substances in electrical and electronic equipment". |

## Drawing (in mm)

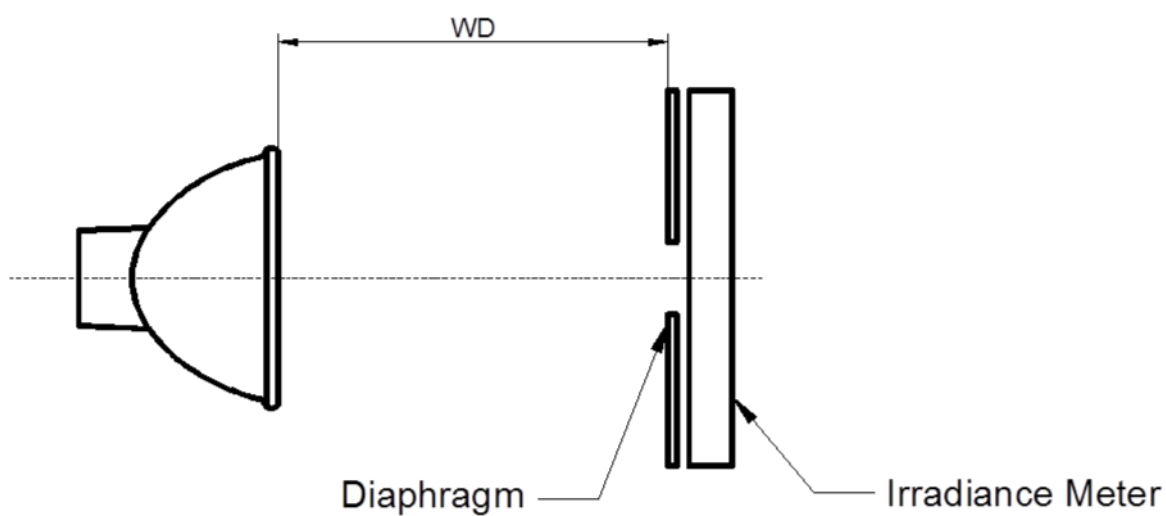


|             |                         |
|-------------|-------------------------|
| valid from  | 19.04.2017-V2-PN17/0173 |
| replace for | 18.01.2017-V1-PN17/0044 |
| file        | 54080.100.pdf           |



## Medical

| Technical Details                            |             |
|--|-------------|
| Working Distance WD (mm)                     | 25          |
| Diaphragm (mm)                               | 8           |
| Curing Power 400-500nm (mW/cm <sup>2</sup> ) | 530 av. min |



|             |                         |
|-------------|-------------------------|
| valid from  | 19.04.2017-V2-PN17/0173 |
| replace for | 18.01.2017-V1-PN17/0044 |
| file        | 54080.100.pdf           |