




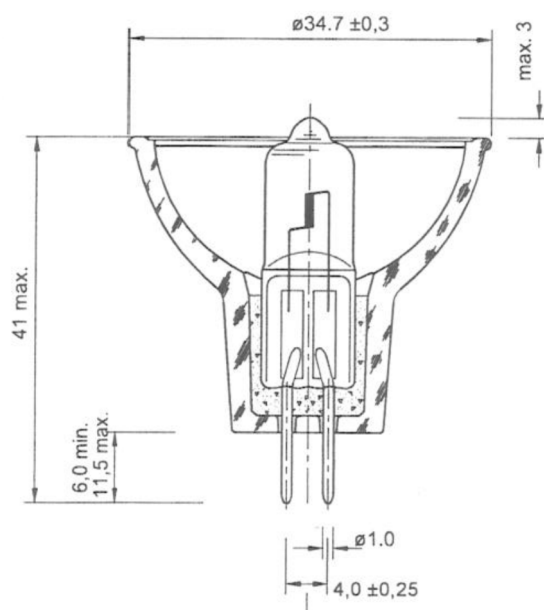
## Medical

	<b>Type 54054</b> <b>12V 75W GZ4</b>
	<b>Ordering - No.</b> <b>54054</b>
<b>Product Description</b>	Halogen reflector lamp
<b>Features</b>	Quartz Bulb, Pre-Focused (Filament), Dimmable
<b>Application</b>	Dental Curing

## Technical Details

ANSI Code	-
LIF Code	-
Rated Voltage (V)	12
Wattage (W)	75
Luminous Flux (lm)	-
Average Lifetime (h)	50
Base	GZ4
Reflector Finish	smooth
Operating Position	any
Max. permissible Temperatures (degree C)	<ul style="list-style-type: none"> <li>• Pinch 350</li> <li>• Bulb 900</li> </ul>
Environmental Remark	Product don't contain lead or mercury and is conform with Directive 2011/65/EC "Restriction of the use of certain hazardous substances in electrical and electronic equipment".

## Drawing (in mm)

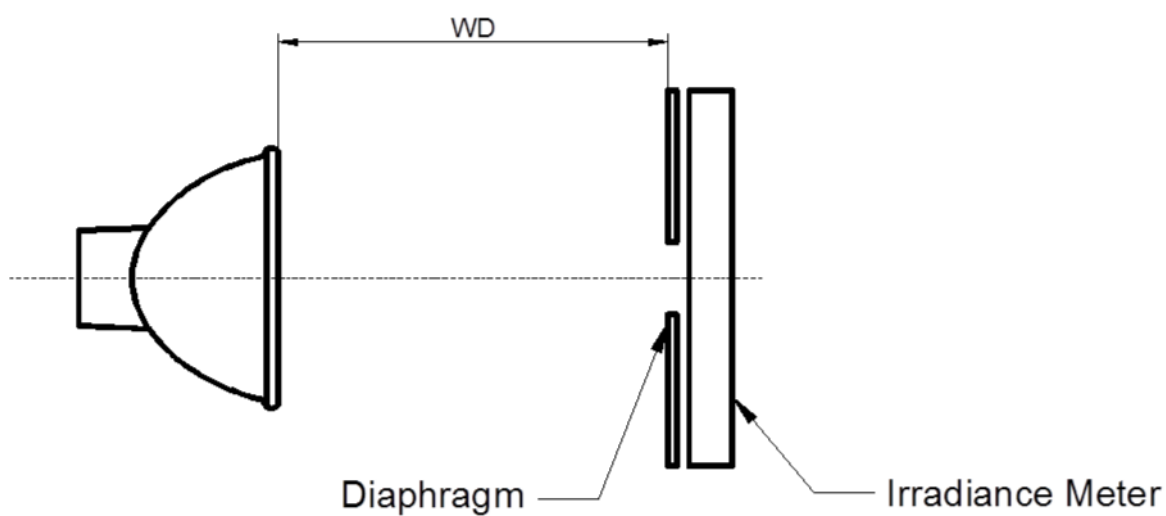


valid from	11.09.2013-V1-PN13/0098
replace for	-
file	54054.100.pdf



## Medical

Technical Details	
Working Distance WD (mm)	26
Diaphragm (mm)	7
Curing Power 400-500nm (mW/cm <sup>2</sup> )	400 av. min.



valid from	11.09.2013-V1-PN13/0098
replace for	-
file	54054.100.pdf