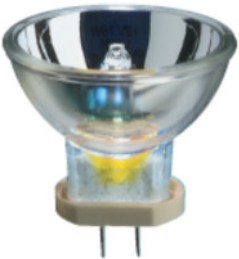


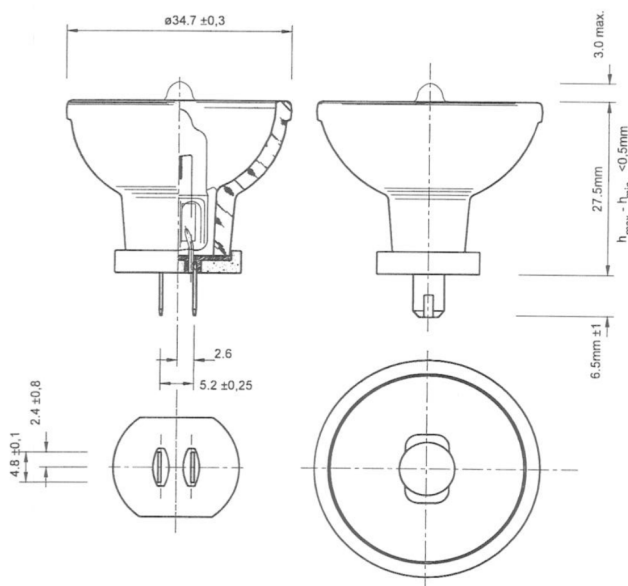
Medical

	Type 54051 12V 75W G5,3/4,8
	Ordering - No. 54051
Product Description	Halogen reflector lamp
Features	Quartz Bulb, Pre-Focused (Filament), Dimmable
Application	Dental Curing

Technical Details

ANSI Code	-
LIF Code	-
Rated Voltage (V)	12
Wattage (W)	75
Average Lifetime (h)	50
Base	G5,3/4,8
Reflector Finish	smooth
Operating Position	any
Max. permissible Temperatures (degree C)	<ul style="list-style-type: none"> • Pinch 400 • Bulb 900
Environmental Remark	Product don't contain lead or mercury and is conform with Directive 2011/65/EC "Restriction of the use of certain hazardous substances in electrical and electronic equipment".

Drawing (in mm)

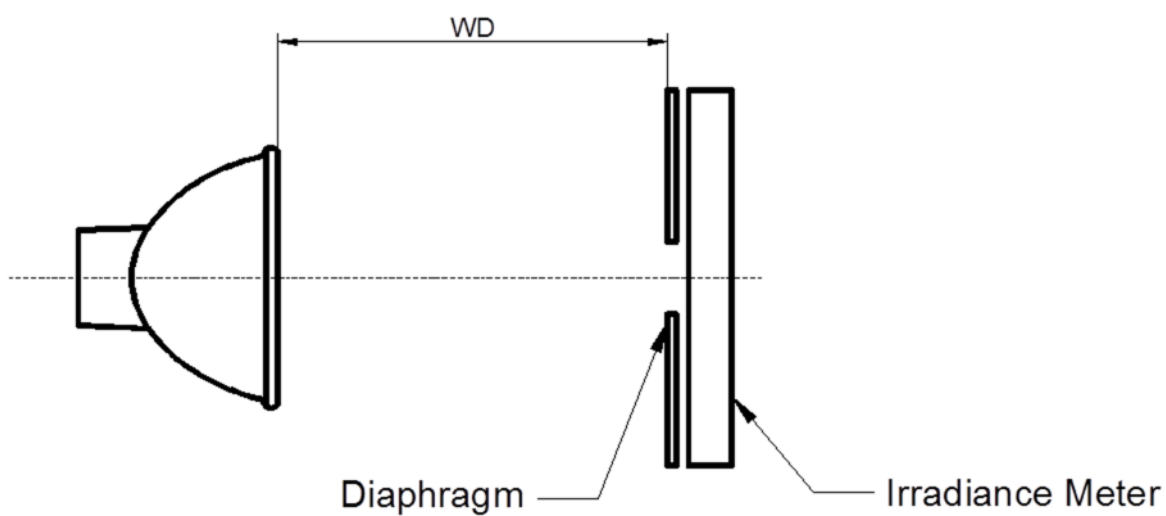


valid from	14.04.2016-V1-PN16/0124
replace for	-
file	54051.100.pdf



Medical

Technical Details	
Working Distance WD (mm)	25
Diaphragm (mm)	8
Curing Power 400-500nm (mW/cm ²)	480 av. min



valid from	14.04.2016-V1-PN16/0124
replace for	-
file	54051.100.pdf