

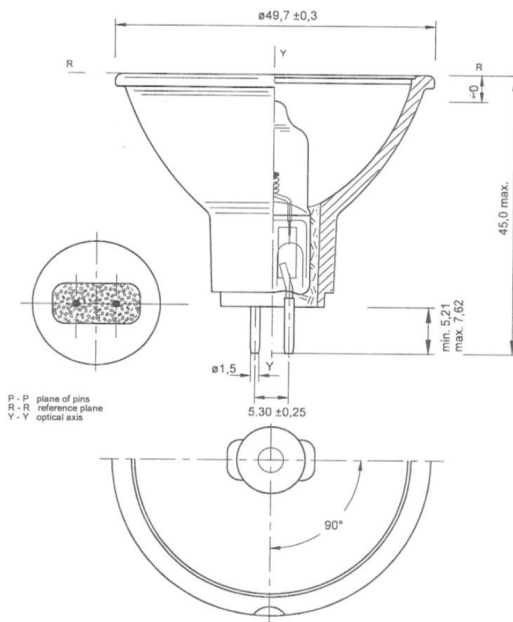
Medical

	Type 54032 22,8V 50W GX5,3
	Ordering - No. 54032
Product Description	Halogen reflector lamp
Features	Quartz Bulb, Pre-Focused (Filament), Dimmable
Application	Operation Luminaire

Technical Details

ANSI Code	-
LIF Code	-
Rated Voltage (V)	22,8
Wattage (W)	50
Average Lifetime (h)	750
Base	GX5,3
Reflector Finish	smooth
Operating Position	any
Max. permissible Temperatures (degree C)	<ul style="list-style-type: none"> • Pinch 350 • Bulb 900
Environmental Remark	Product don't contain lead or mercury and is conform with Directive 2011/65/EC "Restriction of the use of certain hazardous substances in electrical and electronic equipment".

Drawing (in mm)



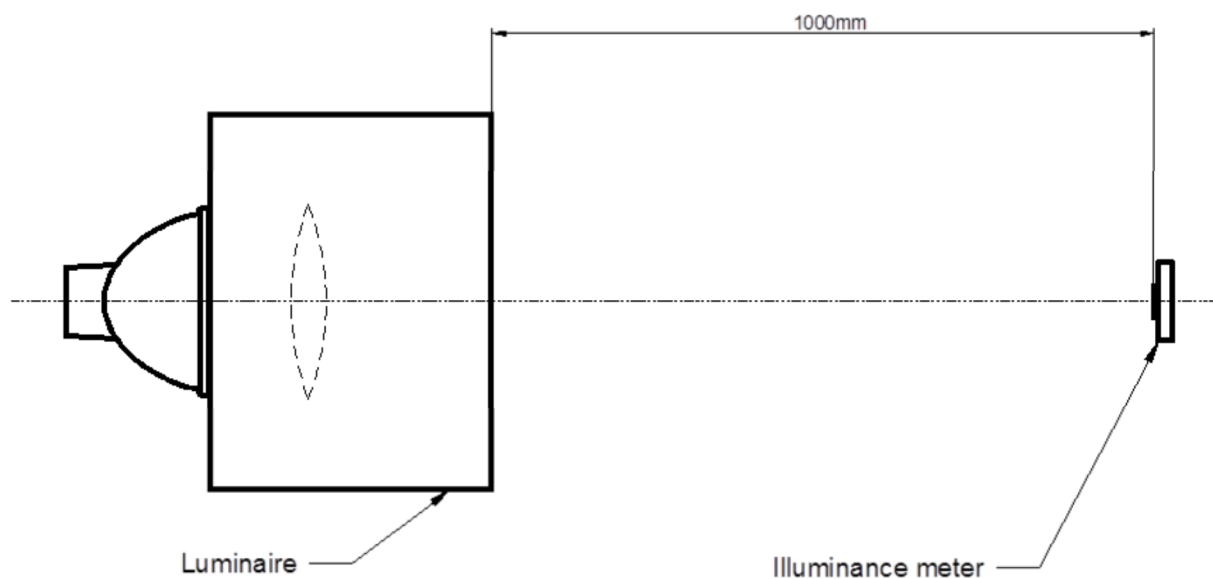
valid from	14.04.2016-V1-PN16/0124
replace for	-
file	54032.100.pdf



Medical

Technical Details

illuminance (lx)	26000 av. min. 24000 min.
------------------	------------------------------



valid from	14.04.2016-V1-PN16/0124
replace for	-
file	54032.100.pdf