




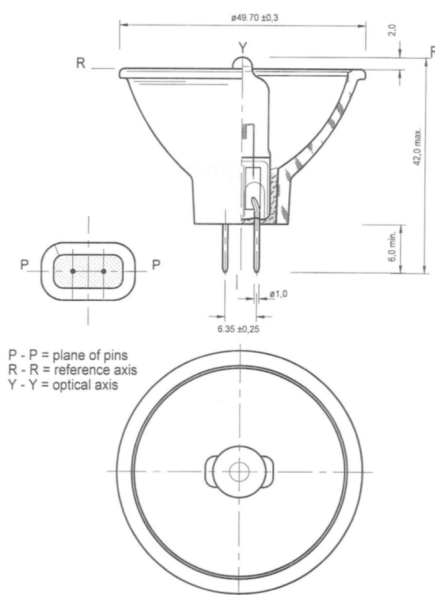
Projection

	Type 54021 12V 42W GZ6,35
	Ordering - No. 54021
Product Description	Halogen reflector lamp
Features	Quartz Bulb, Pre-Focused (Filament), Dimmable
Application	Fiber Optics

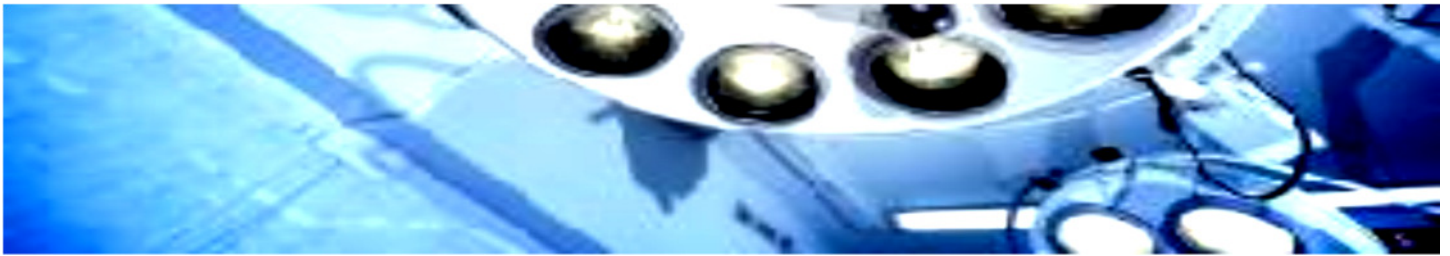
Technical Details

ANSI Code	-
LIF Code	-
Rated Voltage (V)	12
Wattage (W)	42
Color Temperature (K)	2900
Average Lifetime (h)	4000
Base	GZ6,35
Reflector Finish	smooth
Operating Position	S90 
Max. permissible Temperatures (degree C)	<ul style="list-style-type: none"> • Pinch 350 • Bulb 900
Environmental Remark	Product don't contain lead or mercury and is conform with Directive 2011/65/EC "Restriction of the use of certain hazardous substances in electrical and electronic equipment".

Drawing (in mm)

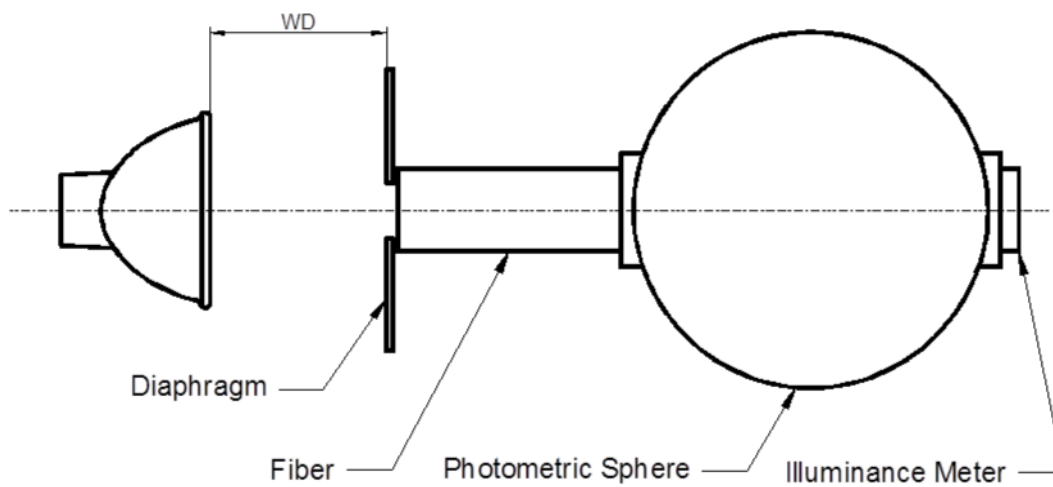


valid from	19.04.2017-V2-PN17/0173
replace for	18.01.2017-V1-PN17/0044
file	54021.100.pdf



Projection

Technical Details	
Working Distance WD (mm)	30
Diaphragm (mm)	8,5
Light Output (lm)	230 av.



valid from	19.04.2017-V2-PN17/0173
replace for	18.01.2017-V1-PN17/0044
file	54021.100.pdf