
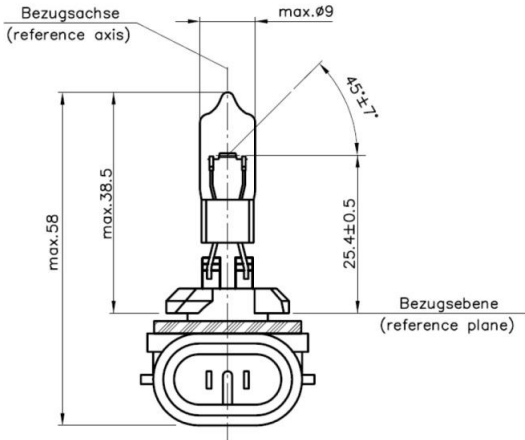


GENERAL			
	<b>889</b> 12,8V 27W PGJ13	<b>Features</b>	original equipment manufacturer quality, hardglass
	<b>Ordering Number</b> 28045	<b>Standard</b>	ANSI
<b>Product Description</b>	halogen headlighting lamp	<b>Typical Applications</b>	fog light, special light

TECHNICAL DETAILS			
	<b>Rated Voltage</b>	12,8V	
	<b>Rated Wattage</b>	max. 30W @12,8V	
<b>Base</b>	PGJ13		
<b>Operating Conditions</b>	burning position: horizontal		
<b>Luminous Flux</b>	540 lm ± 12% @12,8V		
<b>Geometry</b>	Light center length: 25,4mm ± 0,5mm Bulb diameter: max. 9mm	<b>Lifetime</b>	B50: 300h @14,0V Lumen Maintenance: min. 85% after 225h @12,8V

DELIVERY DETAILS		
<b>Packaging</b>	Industrial Packaging: 300pcs. (5×60) Commercial Box Packaging: 100pcs. (10×10×1)	Handle with care. Please store up and install the lamps free of mechanical damage, heat and moisture. For use in closed luminaires only.

valid from 12/04/2017

replace for 20.02.2013-V1-PN12/0263

file 28045 - 889 12,8V 27W PGJ13.100

**Disclaimer:**  
 Subject to change without notice. Errors and omission accepted.  
 Always make sure to use the most recent release.