



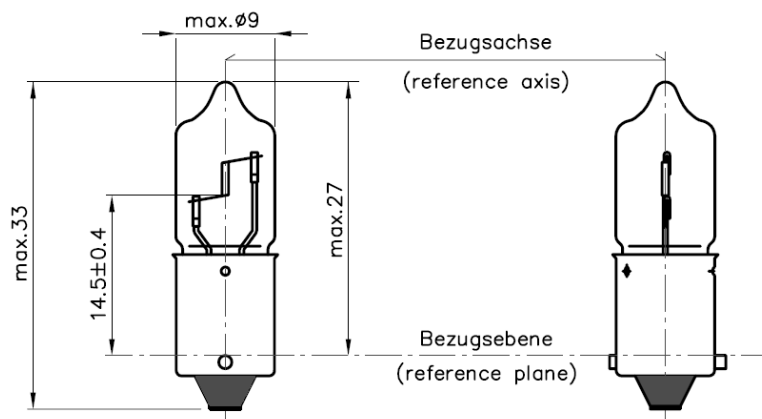
Halogen Miniature Lamp

| | |
|---|---|
|  | Type HMB26 6V 10W BA9s |
| | Ordering – No. 68151 |
| Product Description | Halogen Miniature Lamp |
| Features | Original Equipment Manufacturer Quality, Bottom Contact lead free laser welded, Hardglass |
| Applications | Aircraft Interior Lighting |

Technical Details

| | |
|---------------------------------|------------|
| Type | HMB26 |
| Rated Voltage (V) | 6 |
| Wattage (W) (at 6V) | max. 10,8 |
| Luminous Flux (lm) (at 6V) | 143 ± 12% |
| Average Lifetime (h) (at 6V) | 2000 |
| Base | BA9s |
| Bottom Contact Temperature (°C) | max. 400 |
| Bulb Diameter (mm) | max. 9,0 |
| Light center (mm) | 14,5 ± 0,4 |
| Burning Position | any |
| Bulk Package | 1000 |
| Tenway Package | 200 |

Drawing (in mm)



| | |
|-------------|-------------------------|
| valid from | 05.03.2014—V2—PN14/0072 |
| replace for | 21.02.2013—V1 |
| file | 68151.100.pdf |