
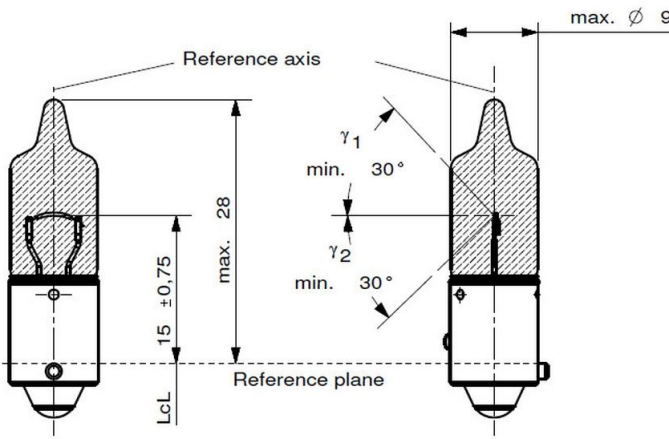


GENERAL			
	<b>HY6W</b> 12V 6W BAZ9s	<b>Features</b>	original equipment manufacturer quality, amber coating, lead free soldered bottom contact, hardglass, UV-cut
	<b>Ordering Number</b> 38169	<b>Standard</b>	ECE R37
<b>Product Description</b>	halogen signalling lamp	<b>Typical Applications</b>	indicator

TECHNICAL DETAILS			
	<b>Rated Voltage</b>	ECE R37: 12V	
	<b>Rated Wattage</b>	max. 7,35W @13,5V	
<b>Base</b>	BAZ9s		
<b>Operating Conditions</b>	bottom contact temperature max. 200°C		
<b>Luminous Flux</b>	75 lm ± 17% @13,5V		
<b>Geometry</b>	Light center length: 15mm ± 0,75mm Bulb diameter: max. 9mm	<b>Lifetime</b>	B3: 400h @13,5V Tc: 800h @13,5V

DELIVERY DETAILS			
<b>Packaging</b>	Industrial Packaging: 1000pcs. (5×200) Commercial Box Packaging: 200pcs. (20×10)	Handle with care. Please store up and install the lamps free of mechanical damage, heat and moisture. For use in closed luminaires only.	