
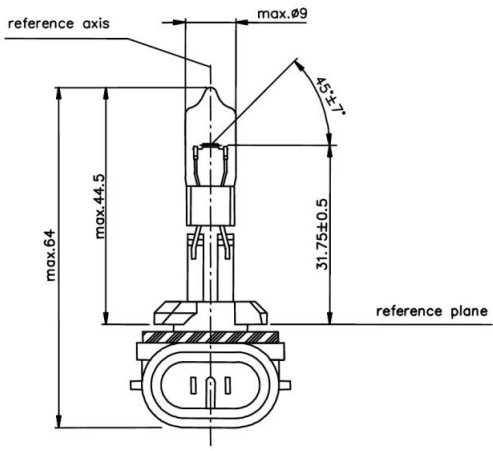


GENERAL			
	894 12,8V 37,5W PGJ13	Features	original equipment manufacturer quality, hardglass
	Ordering Number 28054	Standard	ANSI
Product Description	halogen headlighting lamp	Typical Applications	fog light, special light

TECHNICAL DETAILS			
	Rated Voltage	12,8V	
	Rated Wattage	max. 42W @12,8V	
Base	PGJ13		
Operating Conditions	burning position: horizontal		
Luminous Flux	940 lm ± 12% @12,8V		
Geometry	Light center length: 31,75mm ± 0,5mm Bulb diameter: max. 9mm	Lifetime	B3: 140h @14,0V Tc: 230h @14,0V Lumen Maintenance: min. 85% after 150h @12,8V

DELIVERY DETAILS		
Packaging	Industrial Packaging: 300pcs. (5×60) Commercial Box Packaging: 100pcs. (10×10×1)	Handle with care. Please store up and install the lamps free of mechanical damage, heat and moisture. For use in closed luminaires only.

valid from 12/04/2017

replace for 23.04.2014-V2-PN14/0214

file 28054 - 894 12,8V 37,5W PGJ13.100

Disclaimer:
 Subject to change without notice. Errors and omission accepted.
 Always make sure to use the most recent release.